

Board 1
 North Deals
 None Vul

♠ J 7	♠ Q 10 9 6 5 4 2	♠ —
♥ A 10 7 6 4	♥ 9 8 5 2	♥ K Q
♦ 2	♦ A 4	♦ K Q J 10 9 7 3
♣ K Q 10 4 3	♣ —	♣ A 8 6 2

♠ A K 8 3
♥ J 3
♦ 8 6 5
♣ J 9 7 5

W 6♦; EW 6♣; NS 4♠; W 4♥; E 5♦; E 3♥; Par -300: NS 6♠×-2

West	North	East	South
	3 ♠	4 ♦	4 ♠

Dbl All pass

4 ♠× by North

Trick	Lead	2nd	3rd	4th
1. E	♦ K	8	2	<u>A</u>
2. N	♠ 10	♣ 8	<u>A</u>	7
3. S	♠ 3	J	<u>Q</u>	♦ 3
4. N	♦ 4	9	5	♥ 4
5. E	♦ Q	6	♣ 3	<u>♠ 6</u>
6. N	♥ 8	<u>K</u>	3	6
7. E	♥ Q	J	<u>A</u>	5
8. W	♣ K	<u>♠ 4</u>	2	5
9. N	♥ 2	♣ 6	<u>♠ 8</u>	7
10. S	♣ 9	10	<u>♠ 9</u>	A
11. N	♥ 9	♦ J	<u>♠ K</u>	10
12. S	♣ J	4	<u>♠ 5</u>	♦ 10
13. N	<u>♠ 2</u>	♦ 7	♣ 7	♣ Q

Made 4 — NS +590

The shown bidding and play on these hands is GIB software bidding and play. sometimes it makes sense, sometimes not.

Many play Leaping Michaels requiring a 5D bid by E which would have worked better. Still S bids 5S and W has a decision. With a negative holding in spades, as opposed to a trump trick but enough controls that a 6 level slam may make I am a 5 NT bidder.

Over 4D (natural)-4S W has a more difficult problem. I would bid 4 NT and would not double with Jx in Spades.

_tom

Board 2
 East Deals
 N-S Vul

♠ K Q 9 8 2	♠ A J 6	♠ 10 7
♥ 9 8 4	♥ K Q J 5 3	♥ A 7 2
♦ Q 10 4	♦ J 9	♦ A K 7 5
♣ A K	♣ J 6 5	♣ 9 4 3 2

♠ 5 4 3	♠ 10 7
♥ 10 6	♥ A 7 2
♦ 8 6 3 2	♦ A K 7 5
♣ Q 10 8 7	♣ 9 4 3 2

EW 3♠; EW 2N; EW 2♥; EW 3♦; EW 1♣; Par -140; EW 1♠+2

<i>West</i>	<i>North</i>	<i>East</i>	<i>South</i>
		Pass	Pass
1 ♠	2 ♥	Dbl	Pass
2 ♠	Pass	2 NT	All pass

2 NT by East

<i>Trick</i>	<i>Lead</i>	<i>2nd</i>	<i>3rd</i>	<i>4th</i>
1. S	<u>♥ 10</u>	4	5	7
2. S	♥ 6	9	J	<u>A</u>
3. E	♦ 5	3	Q	9
4. W	♠ K	<u>A</u>	10	3
5. N	<u>♥ K</u>	2	♣ 8	8
6. N	<u>♥ Q</u>	♣ 2	♠ 5	♠ 2
7. N	<u>♥ 3</u>	♣ 3	♠ 4	♠ 8
8. N	♦ J	<u>A</u>	2	4
9. E	♣ 4	7	<u>A</u>	5
10. W	<u>♣ K</u>	6	9	10
11. W	<u>♦ 10</u>	♣ J	7	8
12. W	<u>♠ Q</u>	6	7	♦ 6
13. W	♠ 9	<u>J</u>	♦ K	♣ Q

Down 1 — NS +50

Some open the E hand and get to game. The problem with not opening is that E needs to catch up via 2 NT as opposed to passing 2S which makes 3. I suspect that -50 in either 2 NT or 4S is the normal result.

-tom

Board 3
 South Deals
 E-W Vul

♠ K 9	♠ A 4	♠ Q 10 8 6 5 3 2
♥ A Q 9 7 3 2	♥ K J 10 4	♥ 6
♦ 10 5	♦ 8 6 4 3 2	♦ K 9
♣ 10 8 6	♣ A K	♣ 9 7 3

N	
W	E
S	

♠ J 7
♥ 8 5
♦ A Q J 7
♣ Q J 5 4 2

NS 5N; NS 5♦; NS 5♣; NS 3♥; EW 1♠; Par +460: NS 3N+2

West	North	East	South
			Pass

2♥ All pass

2♥ by West

Trick	Lead	2nd	3rd	4th
1. N	<u>♣ A</u>	9	2	6
2. N	<u>♣ K</u>	3	4	10
3. N	♦ 8	9	<u>J</u>	5
4. S	<u>♣ Q</u>	8	♦ 6	7
5. S	♥ 8	<u>A</u>	4	6
6. W	♥ 3	<u>10</u>	♠ 2	5
7. N	♦ 3	K	<u>A</u>	10
8. S	♣ J	♥ 9	<u>♥ J</u>	♠ 3
9. N	♦ 4	♠ 5	Q	<u>♥ Q</u>
10. W	♠ 9	4	<u>Q</u>	7
11. E	♠ 10	J	K	<u>A</u>
12. N	♦ 2	♠ 8	7	<u>♥ 7</u>
13. W	♥ 2	<u>K</u>	♠ 6	♣ 5

Down 4 — NS +400

N should not pass with 15HCP. It is usually right to bid if possible after a weak 2 by opponent. After a 2 NT overcall, 3 NT. +430 is in the cards
 -tom

Board 4

West Deals
Both Vul

♠ A 4	♠ K 9 2	♠ 7 6 5
♥ K Q 6 5	♥ 3	♥ 10 9 4
♦ 10 5 2	♦ Q 8 6	♦ A J 9 7 4 3
♣ A J 6 4	♣ Q 10 9 7 5 2	♣ 8

N
W E
S

♠ Q J 10 8 3
♥ A J 8 7 2
♦ K
♣ K 3

NS 2♠; EW 3♦; EW 1N; NS 2♣; Par -110; EW 3♦=

<i>West</i>	<i>North</i>	<i>East</i>	<i>South</i>
1 ♣	Pass	1 ♦	1 ♥
1 NT	Pass	2 ♦	Dbl
Pass	2 ♠	Pass	Pass
3 ♦	All pass		

3 ♦ by East

<i>Trick</i>	<i>Lead</i>	<i>2nd</i>	<i>3rd</i>	<i>4th</i>
1. S	♥ A	5	3	9
2. S	♠ Q	A	2	7
3. W	♠ 4	9	6	<u>10</u>
4. S	♥ J	K	♦ 8	4
5. N	♦ 6	A	K	2
6. E	♥ 10	2	Q	♦ Q
7. N	♣ 2	8	K	A
8. W	♥ 6	♣ 5	♦ 4	8
9. E	♠ 5	3	♦ 5	K
10. W	♣ 6	10	♦ 9	3
11. E	♦ 7	♥ 7	<u>10</u>	♣ 9
12. W	♣ 4	7	♦ J	♠ J
13. E	♦ 3	♠ 8	♣ J	♣ Q

Made 3 — NS -110

South should Michaels 2D (5M5M) which gets NS to 2S or 3S.

-tom

Board 5
 North Deals
 N-S Vul

♠ 7 5	♠ A K 8 6 2	♠ —
♥ Q 6 5 4	♥ 9 8 2	♥ K J 10 7 3
♦ 10 6 3 2	♦ J 4	♦ A 8 7 5
♣ 10 7 3	♣ A Q 6	♣ K 5 4 2

♠ Q J 10 9 4 3
♥ A
♦ K Q 9
♣ J 9 8

NS 5♠; NS 3N; EW 2♥; NS 2♣; EW 1♦; Par +650: NS 5♠=

<i>West</i>	<i>North</i>	<i>East</i>	<i>South</i>
	1 ♠	2 ♥	4 ♥ ¹
Pass	4 ♠	All pass	


1. Splinter -- 1- H; 4+ S; 13+ total points

4 ♠ by North

<i>Trick</i>	<i>Lead</i>	<i>2nd</i>	<i>3rd</i>	<i>4th</i>
1. E	♦ <u>A</u>	9	6	4
2. E	♥ 3	<u>A</u>	6	8
3. S	♠ 4	5	<u>8</u>	♣ 5
4. N	♠ 2	♦ 5	<u>Q</u>	7
5. S	♣ 9	3	<u>Q</u>	<u>K</u>
6. E	♣ 4	<u>J</u>	10	6
7. S	♦ <u>K</u>	3	J	8
8. S	♦ <u>Q</u>	10	♥ 2	7
9. S	♠ 3	♥ 4	<u>6</u>	♥ 7
10. N	♥ 9	10	<u>♠ J</u>	5
11. S	♣ 8	7	<u>A</u>	2
12. N	♠ <u>A</u>	♥ J	9	♦ 2
13. N	♠ <u>K</u>	♥ K	10	♥ Q

Made 5 — NS +650

Board 6
 East Deals
 E-W Vul

♠ K 10 9 ♥ A J 10 ♦ K J 10 3 ♣ 9 8 5	♠ A J 8 3 2 ♥ 7 5 4 3 ♦ 8 4 ♣ A Q		♠ Q 6 4 ♥ Q 9 6 ♦ 5 ♣ K J 7 4 3 2
♠ 7 5 ♥ K 8 2 ♦ A Q 9 7 6 2 ♣ 10 6			

EW 4N; EW 3♣; EW 1♠; EW 1♥; EW 1♦; Par -630; EW 3N+1

<i>West</i>	<i>North</i>	<i>East</i>	<i>South</i>
		Pass	Pass
1 ♦	1 ♠	1 NT	All pass

1 NT by East

<i>Trick</i>	<i>Lead</i>	<i>2nd</i>	<i>3rd</i>	<i>4th</i>
1. S	♠ 7	K	<u>A</u>	6
2. N	<u>♣ A</u>	2	6	8
3. N	♣ Q	<u>K</u>	10	5
4. E	♥ 6	2	<u>J</u>	7
5. W	<u>♠ 10</u>	3	4	5
6. W	♣ 9	♥ 4	<u>J</u>	♦ 9
7. E	♥ 9	8	<u>10</u>	5
8. W	♠ 9	8	<u>Q</u>	♦ 2
9. E	<u>♣ 7</u>	♦ 7	♦ 3	♦ 8
10. E	<u>♣ 3</u>	♦ 6	♦ 10	♦ 4
11. E	♣ 4	♦ Q	♦ J	♥ 3
12. E	♥ Q	K	<u>A</u>	♠ J
13. W	♦ K	♠ 2	5	<u>A</u>

Made 4 — NS -180

Board 7
 South Deals
 Both Vul

	♠ 8 5 3		
	♥ 9 6 5 4		
	♦ K 10 8		
	♣ Q J 5		
♠ —	N	♠ K Q	
♥ J 8 7 3	W	♥ A K Q 10 2	
♦ Q J 6 5 4 2	E	♦ 9 3	
♣ 9 7 4	S	♣ K 10 8 3	
		♠ A J 10 9 7 6 4 2	
		♥ —	
		♦ A 7	
		♣ A 6 2	

NS 5♠; EW 3♥; NS 1N; EW 2♦; EW 1♣; Par +650: NS 5♠=

<i>West</i>	<i>North</i>	<i>East</i>	<i>South</i>
			1 ♠
Pass	2 ♠	Dbl	Rdbl
3 ♦	Pass	Pass	4 ♠

All pass

4 ♠ by South

<i>Trick</i>	<i>Lead</i>	<i>2nd</i>	<i>3rd</i>	<i>4th</i>
1. W	♥ 3	6	Q	♠ 2
2. S	♠ A	♦ 6	8	K
3. S	♠ J	♣ 4	3	Q
4. E	♥ 2	♠ 10	7	4
5. S	♠ 4	♦ 2	5	♣ 8
6. N	♣ Q	3	2	9
7. N	♣ 5	10	A	7
8. S	♠ 9	♦ 4	♥ 5	♥ 10
9. S	♠ 6	♥ 8	♥ 9	♦ 3
10. S	♠ 7	♥ J	♣ J	♦ 9
11. S	♦ A	5	10	♥ K
12. S	♦ 7	Q	K	♣ K
13. N	♦ 8	♥ A	♣ 6	J

Made 5 — NS +650

I overcall 3H with E hand which gets a 5H bid from W. 5H is a good save
 -tom

Board 8

West Deals
None Vul

♠ A 9 7 4 2	♠ Q 8	♠ K J 6
♥ 5 4 2	♥ Q 9 8 7 6	♥ A K J 3
♦ —	♦ A Q 7 2	♦ 5
♣ Q J 9 6 4	♣ 5 2	♣ A K 8 7 3

N
W E
S

♠ 10 5 3
♥ 10
♦ K J 10 9 8 6 4 3
♣ 10

EW 7♠; EW 7♣; EW 5♥; NS 3♦; Par -1510; EW 7♠=

<i>West</i>	<i>North</i>	<i>East</i>	<i>South</i>
Pass	Pass	1 ♣	3 ♦
4 ♦	Dbl	4 ♥	All pass

4 ♥ by East

<i>Trick</i>	<i>Lead</i>	<i>2nd</i>	<i>3rd</i>	<i>4th</i>
1. S	♦ J	<u>♥ 2</u>	7	5
2. W	♠ 2	8	<u>K</u>	3
3. E	<u>♥ A</u>	10	4	8
4. E	♣ 3	10	<u>Q</u>	5
5. W	♣ 6	2	<u>7</u>	♦ 3
6. E	♣ A	♦ 8	4	<u>♥ 9</u>
7. N	♥ 6	<u>J</u>	♦ 10	5
8. E	♠ 6	10	<u>A</u>	Q
9. W	♠ 4	♦ 2	<u>J</u>	5
10. E	<u>♥ K</u>	♦ 9	♠ 9	Q
11. E	♣ 8	♦ 6	J	<u>♥ 7</u>
12. N	♦ Q	<u>♥ 3</u>	K	♠ 7
13. E	<u>♣ K</u>	♦ 4	9	♦ A

Made 5 — NS -450

I risk 3S with the west hand planning to play 5C if no spade fit. If I bid 4D I would always bid 5C over 4H. The W hand is huge opposite a fit

-tom

Board 9
 North Deals
 E-W Vul

♠ A 7 6 4 3 ♥ A 8 5 ♦ 9 6 3 ♣ A 3		♠ K 5 ♥ Q J 10 3 ♦ K 10 8 4 ♣ J 9 5	♠ J 10 9 2 ♥ 7 4 ♦ A J 7 2 ♣ 10 8 2
♠ Q 8 ♥ K 9 6 2 ♦ Q 5 ♣ K Q 7 6 4			

EW 2♠; NS 2♥; EW 1N; NS 2♣; EW 1♦;
 Par -100: NS 3♣×-1; NS 3♥×-1

<i>West</i>	<i>North</i>	<i>East</i>	<i>South</i>
	Pass	Pass	1 ♣
1 ♠	Dbl	Pass	2 ♥
Pass	Pass	2 ♠	All pass

2 ♠ by West

<i>Trick</i>	<i>Lead</i>	<i>2nd</i>	<i>3rd</i>	<i>4th</i>
1. N	♥ Q	4	9	<u>A</u>
2. W	♥ 5	<u>10</u>	7	2
3. N	♦ 10	J	<u>Q</u>	3
4. S	♣ K	<u>A</u>	5	2
5. W	♥ 8	J	<u>♠ 2</u>	K
6. E	♠ J	8	3	<u>K</u>
7. N	♠ 5	10	Q	<u>A</u>
8. W	♦ 6	8	<u>A</u>	5
9. E	♣ 8	7	3	<u>9</u>
10. N	♣ J	10	6	<u>♠ 7</u>
11. W	♠ 6	♦ 4	<u>9</u>	♣ Q
12. E	♦ 7	♣ 4	9	<u>K</u>
13. N	♥ 3	♦ 2	6	<u>♠ 4</u>

Made 2 — NS -110

I make a direct 2S with E hand forcing 3H from NS. Some play 2H by E as a bad 2S bid.
 -tom

Board 10
 East Deals
 Both Vul

♠ J 9	♠ A 7 6 2	♠ 10 8 5
♥ A 10 8 6 5	♥ Q J 3	♥ 7 4
♦ A J 9 6	♦ Q 3 2	♦ 8 7 4
♣ J 8	♣ 7 6 4	♣ Q 10 5 3 2

N	
W	E
S	

♠ K Q 4 3
♥ K 9 2
♦ K 10 5
♣ A K 9

S 4N; NS 4♠; N 3N; NS 2♥; NS 1♦; NS 1♣; Par +630; S 3N+1

<i>West</i>	<i>North</i>	<i>East</i>	<i>South</i>
		Pass	1 ♣
1 ♥	Dbl	Pass	2 ♥
Pass	2 NT	Pass	3 ♠
Pass	3 NT	All pass	

3 NT by North

<i>Trick</i>	<i>Lead</i>	<i>2nd</i>	<i>3rd</i>	<i>4th</i>
1. E	♥ 7	2	5	<u>Q</u>
2. N	♠ 6	5	<u>K</u>	J
3. S	♠ 4	9	<u>A</u>	10
4. N	♠ 7	8	<u>Q</u>	♦ 9
5. S	<u>♠ 3</u>	♦ 6	2	♣ 2
6. S	♦ 5	J	<u>Q</u>	8
7. N	♦ 3	7	<u>K</u>	<u>A</u>
8. W	♥ <u>A</u>	3	4	9
9. W	♥ 10	J	♣ 3	<u>K</u>
10. S	<u>♣ A</u>	8	4	10
11. S	<u>♣ K</u>	J	7	5
12. S	♣ 9	♥ 8	6	<u>Q</u>
13. E	♦ 4	<u>10</u>	♥ 6	2

Made 4 — NS +630

N double shows 4S. I make a simple 4S rebid by S
 -tom

Board 11
 South Deals
 None Vul

♠ 8 7	♠ 4	♠ A K Q J 10 9 6
♥ J 5 4	♥ 9 7 6 3 2	♥ A Q
♦ J 9 7	♦ K Q 6 5 2	♦ 10
♣ Q J 10 4 2	♣ K 9	♣ 8 7 6

N
W E
S

♠ 5 3 2
♥ K 10 8
♦ A 8 4 3
♣ A 5 3

NS 3♥; NS 4♦; EW 2♠; EW 2♣; Par +130: NS 4♦ =

	West	North	East	South
				Pass
	Pass	Pass	1 ♠	All pass
1 ♠ by East				
<i>Trick</i>	<i>Lead</i>	<i>2nd</i>	<i>3rd</i>	<i>4th</i>
1. S	<u>♦ A</u>	9	2	10
2. S	♦ 3	7	Q	<u>♠ 9</u>
3. E	♠ 6	5	<u>8</u>	4
4. W	♦ J	K	<u>♠ 10</u>	8
5. E	<u>♠ A</u>	2	7	♥ 2
6. E	<u>♠ K</u>	3	♣ 2	♥ 7
7. E	♣ 7	3	Q	<u>K</u>
8. N	♥ 3	Q	<u>K</u>	4
9. S	♥ 10	5	9	<u>A</u>
10. E	<u>♠ Q</u>	♣ 5	♣ 4	♦ 6
11. E	♣ 8	<u>A</u>	10	9
12. S	♦ 4	♥ J	5	<u>♠ J</u>
13. E	♣ 6	♥ 8	<u>J</u>	♥ 6

Made 3 — NS -140

Many would not pass 1S with the N hand. NS might get to 4H and make it.
 -tom

Board 12
West Deals
N-S Vul

	♠ —											
	♥ K Q 8 7											
	♦ 10 6 4 2											
	♣ A K Q 9 6											
♠ A Q 10 9 ♥ A J 10 5 ♦ J 9 8 3 ♣ 4	<table style="margin: auto; border: 1px solid black; background-color: #008000; color: white; padding: 5px;"> <tr><td></td><td style="text-align: center;">N</td><td></td></tr> <tr><td style="text-align: center;">W</td><td></td><td style="text-align: center;">E</td></tr> <tr><td></td><td style="text-align: center;">S</td><td></td></tr> </table>		N		W		E		S		♠ K J 8 7 3 ♥ 4 2 ♦ K ♣ 10 8 5 3 2	
	N											
W		E										
	S											
	♠ 6 5 4 2											
	♥ 9 6 3											
	♦ A Q 7 5											
	♣ J 7											

W 3♠; E 2♠; NS 2♥; NS 3♦; NS 1N; NS 2♣; Par -140: W 3♠=

<i>West</i>	<i>North</i>	<i>East</i>	<i>South</i>
1 ♦	2 ♣	Pass	Pass
Dbl	2 ♥	2 ♠	Dbl

All pass


2 ♠× by East

<i>Trick</i>	<i>Lead</i>	<i>2nd</i>	<i>3rd</i>	<i>4th</i>
1. S	♠ 2	10	♣ 6	<u>J</u>
2. E	♦ K	<u>A</u>	3	4
3. S	♠ 4	Q	♥ 8	8
4. W	♥ J	Q	2	3
5. N	<u>♣ Q</u>	2	7	4
6. N	♣ K	8	J	<u>♠ A</u>
7. W	♦ 9	6	<u>♠ 3</u>	7
8. E	♥ 4	6	<u>A</u>	7
9. W	♦ 8	2	<u>♠ 7</u>	5
10. E	♣ 5	♥ 9	<u>♠ 9</u>	9
11. W	♦ J	10	<u>♠ K</u>	Q
12. E	♣ 10	<u>♠ 5</u>	♥ 10	A
13. S	♠ 6	♥ 5	♥ K	♣ 3

Made 2 — NS -470

Unlucky to not make 4S on EW cards. The Spade X is a GIB bid. Sometimes bots go crazy.
-tom

Board 13
 North Deals
 Both Vul

♠ 10 7 4		♠ Q J 9
♥ 7 3		♥ K Q
♦ J 10 8 6 3		♦ Q 7 4
♣ 9 3 2		♣ A K Q 10 6
		♠ A K 8 3 2
		♥ J 9 8 4
		♦ 5
		♣ J 7 5

NS 4♥; NS 3♠; NS 1N; EW 1♦; Par +620; NS 4♥=

<i>West</i>	<i>North</i>	<i>East</i>	<i>South</i>
	1♥	1NT	Dbl
2♦	Pass	Pass	4♦
Pass	4♥	All pass	

4♥ by North

<i>Trick</i>	<i>Lead</i>	<i>2nd</i>	<i>3rd</i>	<i>4th</i>
1. E	<u>♣ K</u>	7	2	8
2. E	<u>♣ A</u>	5	3	4
3. E	<u>♣ Q</u>	J	9	<u>♥ 2</u>
4. N	<u>♦ A</u>	4	5	6
5. N	<u>♦ 2</u>	7	<u>♥ 9</u>	8
6. S	<u>♥ 8</u>	3	6	<u>K</u>
7. E	<u>♥ Q</u>	4	7	<u>A</u>
8. N	<u>♦ K</u>	Q	♠ 2	3
9. N	<u>♠ 5</u>	9	<u>A</u>	4
10. S	<u>♠ K</u>	7	6	J
11. S	<u>♠ 8</u>	10	<u>♥ 10</u>	Q
12. N	<u>♦ 9</u>	♣ 10	<u>♥ J</u>	10
13. S	<u>♠ 3</u>	<u>♦ J</u>	<u>♥ 5</u>	♣ 6

Made 4 — NS +620

I am not inclined to X 1NT with the S hand preferring a straight 4H bid.
 -tom

Board 14
 East Deals
 None Vul

♠ Q 8 5 4 ♥ K 9 ♦ Q 10 8 2 ♣ J 4 2		♠ 10 6 2 ♥ J 7 6 4 2 ♦ 7 5 ♣ Q 10 3	♠ A J 9 3 ♥ 8 5 3 ♦ J 4 3 ♣ A 9 6
♠ K 7 ♥ A Q 10 ♦ A K 9 6 ♣ K 8 7 5			

NS 4♥; NS 2N; NS 3♣; NS 1♦; Par +420; NS 4♥=

<i>West</i>	<i>North</i>	<i>East</i>	<i>South</i>
		Pass	1♦
Pass	Pass	Dbl	Pass
2♣	Pass	Pass	Dbl
2♠	Pass	Pass	3♥
Pass	4♥	All pass	

4♥ by South

<i>Trick</i>	<i>Lead</i>	<i>2nd</i>	<i>3rd</i>	<i>4th</i>
1. W	♠ 4	2	<u>A</u>	7
2. E	♠ 9	<u>K</u>	5	6
3. S	♣ 7	2	10	<u>A</u>
4. E	♦ J	<u>K</u>	8	5
5. S	♦ <u>A</u>	2	7	4
6. S	♥ <u>A</u>	9	2	3
7. S	♣ 5	4	<u>Q</u>	6
8. N	♠ 10	3	♥ <u>10</u>	8
9. S	♥ Q	<u>K</u>	4	5
10. W	♣ J	3	9	<u>K</u>
11. S	♦ 9	Q	♥ <u>7</u>	3
12. N	♥ <u>J</u>	8	♦ 6	♦ 10
13. N	♥ <u>6</u>	♠ J	♣ 8	♠ Q

Made 4 — NS +420

I also pass 1D with N hand but many don't. East has too many diamonds for a trap pass so I leave S in 1D.

-tom

Board 15
 South Deals
 N-S Vul

♠ K J 10 8 6 4	<div style="display: inline-block; background-color: green; color: white; padding: 5px; border: 1px solid black;"> N W E S </div>	♠ —
♥ 4		♥ A K J 5 2
♦ 9 8 5		♦ A K Q 10
♣ Q 7 5		♣ K J 9 4
		♠ A 7 5 3
		♥ Q 8 7 3
		♦ J 4
		♣ A 3 2

EW 4♠; EW 4♥; EW 3N; EW 5♣; EW 4♦;
 Par -420: EW 4♥=; EW 4♠=

<i>West</i>	<i>North</i>	<i>East</i>	<i>South</i>
			Pass
2 ♠	Pass	3 ♥	Pass
3 ♠	Pass	3 NT	Pass
4 ♠	All pass		

4 ♠ by West

<i>Trick</i>	<i>Lead</i>	<i>2nd</i>	<i>3rd</i>	<i>4th</i>
1. N	♣ 6	9	<u>A</u>	7
2. S	♣ 3	5	10	<u>J</u>
3. E	<u>♥ A</u>	8	4	6
4. E	<u>♥ K</u>	7	♦ 5	9
5. E	♥ 2	3	<u>♠ 4</u>	10
6. W	♦ 8	7	<u>A</u>	4
7. E	<u>♦ K</u>	J	9	6
8. E	♦ Q	♠ 7	<u>♠ 8</u>	2
9. W	♣ Q	8	<u>K</u>	2
10. E	♦ 10	♠ 5	<u>♠ 6</u>	3
11. W	♠ J	9	♥ J	<u>A</u>
12. S	♠ 3	<u>K</u>	2	♥ 5
13. W	♠ 10	<u>Q</u>	♣ 4	♥ Q

Made 4 — NS -420

I don't bid 4S with the W hand. I follow the Mammong Rule: "Play all misfits in 3 NT"
 -tom

Board 16

West Deals
E-W Vul

♠ K 9 6 5	♠ A Q J 10 4	♠ 7 3 2
♥ A 8 5	♥ J 9 7 3	♥ K 10 4
♦ K J 6 5 3	♦ 8 7	♦ A Q 10 9
♣ A	♣ K 7	♣ 6 5 3

♠ 8	<table style="border: 1px solid black; background-color: #008000; color: white; padding: 5px; text-align: center; width: 40px; height: 40px;"> <tr><td></td><td>N</td><td></td></tr> <tr><td>W</td><td></td><td>E</td></tr> <tr><td></td><td>S</td><td></td></tr> </table>		N		W		E		S		♠ 8
	N										
W		E									
	S										
♥ Q 6 2		♥ Q 6 2									
♦ 4 2		♦ 4 2									
♣ Q J 10 9 8 4 2		♣ Q J 10 9 8 4 2									

W 4♦; EW 2N; EW 2♠; E 3♦; NS 2♣; EW 1♥; Par -130: W 3♦+1

<i>West</i>	<i>North</i>	<i>East</i>	<i>South</i>
1 ♦	1 ♠	2 ♦	Pass
3 ♦	Pass	3 ♥	Pass
3 ♠	Pass	3 NT	Pass
4 ♥	All pass		

4 ♥ by East

<i>Trick</i>	<i>Lead</i>	<i>2nd</i>	<i>3rd</i>	<i>4th</i>
1. S	♠ 8	5	<u>10</u>	7
2. N	♠ A	2	♦ 2	9
3. N	♠ Q	3	♥ 6	6
4. S	♦ 4	3	8	<u>9</u>
5. E	♥ 4	2	<u>A</u>	3
6. W	♦ J	7	10	♥ Q
7. S	♣ 2	<u>A</u>	7	3
8. W	♠ K	J	♣ 5	♣ 4
9. W	♦ 6	♣ K	Q	♣ Q
10. E	♣ 6	8	♥ 5	<u>♥ 9</u>
11. N	♥ 7	<u>10</u>	♣ J	8
12. E	♥ K	♣ 9	♦ K	J
13. E	♦ A	♣ 10	5	♠ 4

Down 2 — NS +200

Auction should go 1D-2D-2S-3D for +130. E has a very minimum 2D that most would not make. I bid 1 NT on the E hand and it plays there +120

-tom

Board 17
 North Deals
 None Vul

♠ A Q J 7 4	♠ K 8	♠ 10 9 2
♥ A K 4	♥ Q 6 2	♥ 9 8 3
♦ K 6 3	♦ A 9 7	♦ Q 5 2
♣ Q 6	♣ K J 9 4 3	♣ A 8 7 2

N
W E
S

♠ 6 5 3
♥ J 10 7 5
♦ J 10 8 4
♣ 10 5

W 3♠; EW 2N; E 2♠; NS 1♥; W 1♥; E 1♦; EW 1♣;
 Par -140: W 2♠+1


<i>West</i>	<i>North</i>	<i>East</i>	<i>South</i>
	1 ♣	Pass	Pass
1 ♠	Pass	2 ♠	Pass
4 ♠	All pass		

4 ♠ by West

<i>Trick</i>	<i>Lead</i>	<i>2nd</i>	<i>3rd</i>	<i>4th</i>
1. N	♦ 7	2	10	<u>K</u>
2. W	♦ 3	<u>A</u>	5	4
3. N	♦ 9	<u>Q</u>	J	6
4. E	♥ 9	10	<u>A</u>	2
5. W	♥ <u>K</u>	6	3	7
6. W	♠ <u>A</u>	8	2	3
7. W	♠ Q	<u>K</u>	9	6
8. N	♥ <u>Q</u>	8	J	4
9. N	♣ 9	2	5	<u>Q</u>
10. W	♣ 6	K	<u>A</u>	10
11. E	♣ 8	♠ 5	<u>♠ 7</u>	3
12. W	♠ 4	♣ 4	<u>10</u>	♦ 8
13. E	♣ 7	♥ 5	<u>♠ J</u>	J

Made 4 — NS -420

Board 18
 East Deals
 N-S Vul

♠ J 6 3 ♥ K 4 3 ♦ K 7 6 5 3 ♣ 8 3		♠ A 4 ♥ A 6 2 ♦ 10 8 4 ♣ 10 9 5 4 2	♠ K Q 10 8 ♥ 10 8 7 5 ♦ Q ♣ A K Q 7
		♠ 9 7 5 2 ♥ Q J 9 ♦ A J 9 2 ♣ J 6	

EW 1N; EW 1♠; EW 1♥; NS 1♦; NS 1♣; Par -90: EW 1N=

<i>West</i>	<i>North</i>	<i>East</i>	<i>South</i>
		1 ♣	Pass
1 ♦	Pass	1 ♥	All pass

1 ♥ by East

<i>Trick</i>	<i>Lead</i>	<i>2nd</i>	<i>3rd</i>	<i>4th</i>
1. S	♥ Q	K	<u>A</u>	5
2. N	<u>♠ A</u>	8	5	3
3. N	♠ 4	<u>K</u>	9	6
4. E	<u>♣ A</u>	6	3	9
5. E	<u>♣ K</u>	J	8	4
6. E	♣ 7	♦ 9	<u>♥ 4</u>	10
7. W	♥ 3	6	8	<u>9</u>
8. S	♠ 7	J	<u>♥ 2</u>	Q
9. N	♦ 10	Q	<u>A</u>	3
10. S	<u>♥ J</u>	♦ 5	♦ 8	10
11. S	♠ 2	♦ 6	♣ 5	<u>10</u>
12. E	<u>♣ Q</u>	♦ 2	♦ 7	2
13. E	<u>♥ 7</u>	♦ J	♦ K	♦ 4

Made 1 — NS -80

Board 19
 South Deals
 E-W Vul

♠ K 4		♠ A 9 7 6 2
♥ A 9 6 4 2		♥ Q 10 8 3
♦ A 10 4 3		♦ J 6
♣ 7 4		♣ Q 10
♠ Q 5	<div style="display: inline-block; background-color: green; color: white; padding: 5px; border: 1px solid black;"> N W E S </div>	♠ J 10 8 3
♥ J 7 5		♥ K
♦ K Q 9 8 5		♦ 7 2
♣ K J 8		♣ A 9 6 5 3 2

EW 1N; NS 2♣; NS 1♠; EW 1♥; Par +90; NS 2♣=

<i>West</i>	<i>North</i>	<i>East</i>	<i>South</i>
1 ♦	1 ♥	1 ♠	Pass
2 ♣			

All pass

2 ♣ by South

<i>Trick</i>	<i>Lead</i>	<i>2nd</i>	<i>3rd</i>	<i>4th</i>
1. W	♦ K	A	6	7
2. N	♥ 2	3	K	5
3. S	♣ A	8	4	10
4. S	♣ 6	J	7	Q
5. E	♦ J	2	9	3
6. E	♥ Q	♠ 3	7	A
7. N	♥ 6	8	♣ 9	J
8. S	♣ 5	K	♥ 9	♠ 2
9. W	♦ Q	4	♠ 7	♣ 2
10. S	♠ J	Q	K	A
11. E	♥ 10	♣ 3	♦ 8	4
12. S	♠ 10	5	4	6
13. S	♠ 8	♦ 5	♦ 10	9

Made 2 — NS +90

Board 20
 West Deals
 Both Vul

♠ —	♠ A 10 8 7 3	♠ 9 6 4
♥ A J 10 4 2	♥ 3	♥ Q 7 6 5
♦ K 9 4 2	♦ 10 5	♦ J 8 7 3
♣ A K 7 5	♣ Q 9 8 6 2	♣ 4 3

N
W E
S

♠ K Q J 5 2
♥ K 9 8
♦ A Q 6
♣ J 10

S 4♠; EW 4♥; N 3♠; EW 3♦; S 1N; S 2♣; N 1♣;
 Par +200; EW 5♥×-1

<i>West</i>	<i>North</i>	<i>East</i>	<i>South</i>
1 ♥	Pass	Pass	1 ♠
2 ♦	2 ♠	3 ♥	Pass
Pass	Dbl	All pass	

3♥× by West

<i>Trick</i>	<i>Lead</i>	<i>2nd</i>	<i>3rd</i>	<i>4th</i>
1. N	♣ 6	3	10	<u>A</u>
2. W	♣ <u>K</u>	9	4	J
3. W	♥ <u>A</u>	3	5	8
4. W	♦ 2	10	J	<u>Q</u>
5. S	♠ 5	<u>♥ 4</u>	3	4
6. W	♥ J	♠ 10	Q	<u>K</u>
7. S	♠ 2	<u>♥ 2</u>	8	6
8. W	<u>♥ 10</u>	♣ 2	6	9
9. W	♦ K	5	3	<u>A</u>
10. S	<u>♠ K</u>	♣ 7	7	9
11. S	♦ 6	4	♣ Q	<u>8</u>
12. E	♦ 7	♠ Q	<u>9</u>	♣ 8
13. W	♣ 5	♠ A	<u>♥ 7</u>	♠ J

Made 3 — NS -730

I don't pass 1H with the E hand. I might try 1 NT or 3H (weak). I think neither bid works and the opponents reach 4S. Bots are crazy here.

-tom

Board 21
 North Deals
 N-S Vul

	♠ A Q 5 4 2											
	♥ 6											
	♦ 10 2											
	♣ K Q 5 4 2											
♠ 3 ♥ K J 10 9 5 4 3 ♦ K Q 4 3 ♣ J	<table style="border: 1px solid black; width: 40px; height: 40px; margin: auto;"> <tr><td></td><td style="text-align: center;">N</td><td></td></tr> <tr><td style="text-align: center;">W</td><td></td><td style="text-align: center;">E</td></tr> <tr><td></td><td style="text-align: center;">S</td><td></td></tr> </table>		N		W		E		S		♠ K 7 6 ♥ A Q ♦ A 6 5 ♣ 10 9 8 7 6	
	N											
W		E										
	S											
	♠ J 10 9 8											
	♥ 8 7 2											
	♦ J 9 8 7											
	♣ A 3											

EW 5♥; EW 3N; NS 3♠; EW 3♦; Par -450: EW 5♥=

<i>West</i>	<i>North</i>	<i>East</i>	<i>South</i>
	1 ♠	Pass	2 ♠
3 ♥	Pass	4 ♥	All pass

4♥ by West

<i>Trick</i>	<i>Lead</i>	<i>2nd</i>	<i>3rd</i>	<i>4th</i>
1. N	♦ 10	5	9	<u>K</u>
2. W	♥ 3	6	<u>A</u>	2
3. E	♥ Q	7	<u>K</u>	♠ 2
4. W	♥ J	♣ 2	♣ 6	8
5. W	♥ 9	♦ 2	♣ 7	♠ J
6. W	♥ 10	♠ 5	♠ 6	♠ 8
7. W	♥ 4	♠ 4	♣ 8	♠ 9
8. W	♠ 3	<u>A</u>	7	10
9. N	♣ <u>K</u>	9	3	J
10. N	♣ 5	10	A	♥ <u>5</u>
11. W	♦ 4	♣ Q	<u>A</u>	J
12. E	♠ <u>K</u>	♦ 7	♦ 3	Q
13. E	♦ 6	8	<u>Q</u>	♣ 4

Made 5 — NS -450

Board 22
 East Deals
 E-W Vul

♠ A J	♠ K Q 3	♠ 10 9
♥ A Q 6 5	♥ 9 2	♥ K 10 8 7
♦ Q J 8 7	♦ 6 5 3	♦ A K 10 9
♣ A 8 7	♣ Q J 10 4 2	♣ 9 5 3

♠ 8 7 6 5 4 2
♥ J 4 3
♦ 4 2
♣ K 6

EW 4N; EW 4♥; EW 4♦; NS 1♠; EW 1♣; Par -630; EW 4N=

<i>West</i>	<i>North</i>	<i>East</i>	<i>South</i>
		Pass	Pass
1 ♦	Pass	1 ♥	Pass
3 ♥	Pass	4 ♥	All pass

4 ♥ by East

<i>Trick</i>	<i>Lead</i>	<i>2nd</i>	<i>3rd</i>	<i>4th</i>
1. S	♣ K	<u>A</u>	2	3
2. W	♥ 6	9	<u>K</u>	3
3. E	♥ 10	4	<u>A</u>	2
4. W	<u>♥ Q</u>	♦ 3	8	J
5. W	♦ 8	6	<u>9</u>	4
6. E	♠ 10	8	J	<u>Q</u>
7. N	<u>♣ Q</u>	5	6	7
8. N	<u>♣ J</u>	9	♠ 2	8
9. N	♣ 10	♠ 9	♠ 4	<u>♥ 5</u>
10. W	<u>♠ A</u>	3	♦ 10	5
11. W	♦ Q	5	<u>A</u>	2
12. E	<u>♦ K</u>	♠ 6	J	♣ 4
13. E	<u>♥ 7</u>	♠ 7	♦ 7	♠ K

Made 4 — NS -620

Board 23
 South Deals
 Both Vul

♠ J 7 4 2	♠ A 10 6	♠ Q 8 3
♥ J 10 6 5	♥ 7 4 2	♥ A K Q 9
♦ K 8	♦ Q J 5 3	♦ A 6
♣ K 6 5	♣ Q 10 3	♣ 8 7 4 2

♠ K 9 5
♥ 8 3
♦ 10 9 7 4 2
♣ A J 9


EW 3♥; EW 2♠; EW 1N; EW 2♣; NS 1♦; Par -140; EW 1♥+2

<i>West</i>	<i>North</i>	<i>East</i>	<i>South</i>	
Pass	Pass	1 NT	Pass	
			All pass	
1 NT by East				
<i>Trick</i>	<i>Lead</i>	<i>2nd</i>	<i>3rd</i>	<i>4th</i>
1. S	♦ 10	8	5	<u>A</u>
2. E	♥ 9	3	5	4
3. E	♥ A	8	6	7
4. E	♥ K	♠ 5	10	2
5. E	♥ Q	♠ 9	J	♣ 3
6. E	♣ 4	9	<u>K</u>	10
7. W	♣ 6	<u>Q</u>	2	J
8. N	♦ Q	6	9	<u>K</u>
9. W	♠ 2	6	8	<u>K</u>
10. S	♦ 7	♠ 7	3	♠ 3
11. S	♦ 4	♣ 5	<u>J</u>	♣ 7
12. N	♠ 10	<u>Q</u>	♦ 2	J
13. E	♣ 8	<u>A</u>	♠ 4	♠ A

Made 2 — NS -120

It is generally right to try for a 4-4 major fit with 4M4M. 2H+140
 -tom

Board 24
 West Deals
 None Vul

♠ J 10 8 ♥ A 10 2 ♦ Q J 8 ♣ K J 7 6		♠ 4 3 ♥ 6 5 ♦ A 9 6 4 3 ♣ A 10 5 3	♠ A K 9 7 5 ♥ 9 4 3 ♦ K 10 7 5 ♣ 4
♠ Q 6 2 ♥ K Q J 8 7 ♦ 2 ♣ Q 9 8 2			

EW 2♠; S 2♥; S 3♣; EW 1N; N 2♣; N 1♥; EW 1♦;
 Par +100: EW 3♠×-1

<i>West</i>	<i>North</i>	<i>East</i>	<i>South</i>
1 ♣	Pass	1 ♠	Pass
1 NT	Pass	3 ♦	Pass
3 ♥	Pass	4 ♠	All pass

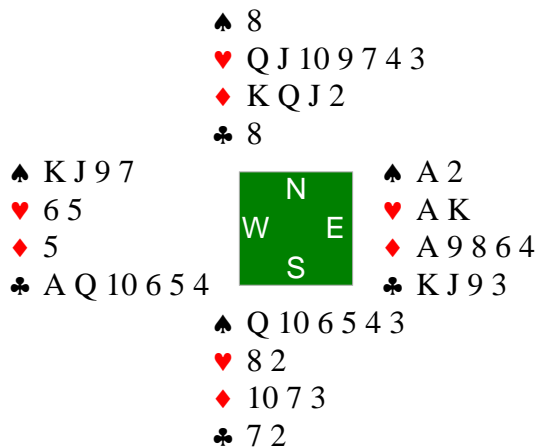
4 ♠ by East

<i>Trick</i>	<i>Lead</i>	<i>2nd</i>	<i>3rd</i>	<i>4th</i>
1. S	♥ K	<u>A</u>	5	9
2. W	♠ J	3	<u>A</u>	2
3. E	♠ K	6	8	4
4. E	♦ 5	2	Q	<u>A</u>
5. N	♦ 9	7	<u>♠ Q</u>	8
6. S	♥ Q	2	6	3
7. S	♥ J	10	♣ 5	4
8. S	♣ 8	K	<u>A</u>	4
9. N	♦ 6	10	♣ 2	<u>J</u>
10. W	♣ 7	10	<u>♠ 9</u>	9
11. E	♦ K	♥ 8	♣ J	3
12. E	♠ 7	♥ 7	<u>10</u>	♣ 3
13. W	♣ 6	♦ 4	<u>♠ 5</u>	Q

Down 2 — NS +100

E should sign off in 2S
 -Tom

Board 25
 North Deals
 E-W Vul



EW 7♣; EW 6N; EW 4♠; EW 4♦; Par -1700: NS 7♥×-7


<i>West</i>	<i>North</i>	<i>East</i>	<i>South</i>
	3♥	3NT	All pass

3 NT by East

<i>Trick</i>	<i>Lead</i>	<i>2nd</i>	<i>3rd</i>	<i>4th</i>
1. S	♥ 8	5	3	<u>A</u>
2. E	♣ 3	2	<u>10</u>	8
3. W	♣ 6	♥ 4	<u>J</u>	7
4. E	<u>♣ 9</u>	♠ 6	4	♦ 2
5. E	<u>♠ A</u>	10	7	8
6. E	♠ 2	3	<u>K</u>	♥ Q
7. W	♠ J	♥ J	♦ 4	<u>Q</u>
8. S	♥ 2	6	10	<u>K</u>
9. E	<u>♦ A</u>	3	5	K
10. E	♣ K	♦ 10	<u>A</u>	♥ 9
11. W	<u>♠ 9</u>	♥ 7	♦ 6	4
12. W	<u>♣ Q</u>	♦ J	♦ 8	♦ 7
13. W	<u>♣ 5</u>	♦ Q	♦ 9	♠ 5

Made 6 — NS -690

Board 26
 East Deals
 Both Vul

♠ Q 7 5 4 ♥ 9 2 ♦ K 8 ♣ 9 8 6 5 4		♠ 10 9 8 6 3 ♥ A K J 10 8 7 ♦ 5 3 ♣ —	♠ A K ♥ 6 4 3 ♦ A Q J 10 4 ♣ Q 10 7
♠ J 2 ♥ Q 5 ♦ 9 7 6 2 ♣ A K J 3 2			

NS 2♥; EW 2♣; NS 1♠; EW 1♦; Par +110: NS 2♥=


<i>West</i>	<i>North</i>	<i>East</i>	<i>South</i>
		1 NT	2 ♣
Pass	2 ♥	All pass	

2 ♥ by North

<i>Trick</i>	<i>Lead</i>	<i>2nd</i>	<i>3rd</i>	<i>4th</i>
1. E	<u>♠ A</u>	2	7	10
2. E	<u>♦ A</u>	9	8	3
3. E	<u>♠ K</u>	J	4	3
4. E	<u>♦ 4</u>	2	<u>♠ K</u>	5
5. W	<u>♥ 2</u>	<u>J</u>	6	5
6. N	<u>♠ 9</u>	<u>♥ 3</u>	<u>♥ Q</u>	5
7. S	<u>♣ A</u>	4	<u>♠ 8</u>	7
8. S	<u>♣ K</u>	9	<u>♠ 6</u>	10
9. S	<u>♣ 3</u>	8	<u>♥ K</u>	Q
10. N	<u>♥ A</u>	4	<u>♣ 2</u>	9
11. N	<u>♥ 10</u>	<u>♦ Q</u>	<u>♦ 6</u>	<u>♣ 6</u>
12. N	<u>♥ 8</u>	<u>♦ 10</u>	<u>♦ 7</u>	<u>♣ 5</u>
13. N	<u>♥ 7</u>	<u>♦ J</u>	<u>♣ J</u>	<u>♠ Q</u>

Made 3 — NS +140

Board 27
 South Deals
 None Vul

♠ K 7 6 4		♠ J 2
♥ 10 8 6 2		♥ A 9
♦ A 8 6		♦ Q 10 5 4 3
♣ 3 2		♣ A Q 6 4
♠ A 9 5 3 ♥ K 7 ♦ J ♣ J 10 9 8 7 5		

EW 2♦; NS 1♠; NS 1♥; NS 1♣; Par -90: EW 2♦ =

<i>West</i>	<i>North</i>	<i>East</i>	<i>South</i>
			Pass
Pass	Pass	1♦	Pass
1♥	Pass	2♣	Pass
2♦	Pass	Pass	2♠

All pass

2♠ by South

<i>Trick</i>	<i>Lead</i>	<i>2nd</i>	<i>3rd</i>	<i>4th</i>
1. W	♣ 3	K	<u>A</u>	5
2. E	♠ 2	5	<u>K</u>	10
3. W	♠ 6	<u>Q</u>	J	3
4. N	♥ 5	9	<u>K</u>	6
5. S	♠ <u>A</u>	7	8	♦ 3
6. S	♠ <u>9</u>	4	♦ 2	♣ 4
7. S	♥ 7	2	3	<u>A</u>
8. E	♣ <u>Q</u>	7	2	♦ 7
9. E	♣ 6	<u>J</u>	♦ 6	♥ 4
10. S	♣ <u>10</u>	♦ 8	♦ 9	♦ 10
11. S	♣ <u>9</u>	♥ 10	♥ J	♦ 5
12. S	♣ <u>8</u>	♥ 8	♥ Q	♦ 4
13. S	♦ J	<u>A</u>	K	Q

Made 2 — NS +110

Board 28
West Deals
N-S Vul

♠ 9 5 3 2	♠ A K 8 6	♠ Q
♥ A Q 9 2	♥ 8 6 5	♥ K J 10 7 4
♦ K J 4	♦ A 9 3	♦ 10 6 5 2
♣ K 10	♣ A J 6	♣ 9 7 2

♠ J 10 7 4	<table style="border: 1px solid black; background-color: green; color: white; width: 40px; height: 40px; margin: auto; display: flex; align-items: center; justify-content: center;"> <tr><td style="padding: 2px;">W</td><td style="padding: 2px;">N</td><td style="padding: 2px;">E</td></tr> <tr><td style="padding: 2px;"></td><td style="padding: 2px;">S</td><td style="padding: 2px;"></td></tr> </table>	W	N	E		S		♠ Q
W	N	E						
	S							
♥ 3	♥ 3	♥ K J 10 7 4						
♦ Q 8 7	♦ Q 8 7	♦ 10 6 5 2						
♣ Q 8 5 4 3	♣ Q 8 5 4 3	♣ 9 7 2						

NS 5♠; NS 4♣; NS 2N; EW 2♥; NS 1♦; Par +650: NS 5♠=

<i>West</i>	<i>North</i>	<i>East</i>	<i>South</i>
1 ♦	1 NT	2 ♦	2 ♠
Pass	3 ♦	Pass	4 ♠

All pass

4 ♠ by South

<i>Trick</i>	<i>Lead</i>	<i>2nd</i>	<i>3rd</i>	<i>4th</i>
1. W	♠ 2	8	Q	7
2. E	♥ J	3	9	5
3. E	♦ 5	Q	K	A
4. N	♠ 6	♥ 10	J	9
5. S	♣ 4	K	A	2
6. N	♣ J	7	5	10
7. N	♥ 6	K	♠ 10	2
8. S	♠ 4	5	A	♦ 2
9. N	♠ K	♥ 7	♦ 7	3
10. N	♣ 6	9	Q	♦ 4
11. S	♣ 8	♥ A	♦ 3	♦ 6
12. S	♣ 3	♥ Q	♥ 8	♦ 10
13. S	♦ 8	J	9	♥ 4

Made 4 — NS +620

Board 29
 North Deals
 Both Vul

♠ 9 5	♠ Q 4 3	♠ 10 6 2
♥ Q J 10 8 6	♥ K 7 5 4	♥ A 3 2
♦ J 3	♦ Q 7 6 4	♦ K 9 8 2
♣ J 7 5 3	♣ 9 4	♣ Q 10 2

N
W E
S

♠ A K J 8 7
♥ 9
♦ A 10 5
♣ A K 8 6

NS 5♠; NS 3N; N 2♥; NS 3♦; N 3♣; S 2♣; S 1♥;
 Par +650: NS 4♠+1

<i>West</i>	<i>North</i>	<i>East</i>	<i>South</i>
	Pass	Pass	1 ♠
Pass	2 ♠	Pass	4 ♥ ¹
Pass	4 ♠	All pass	

1. Splinter -- 1- H; 5+ S; 21- HCP; 19-22 total points

4 ♠ by South

<i>Trick</i>	<i>Lead</i>	<i>2nd</i>	<i>3rd</i>	<i>4th</i>
1. W	♥ Q	K	A	9
2. E	♠ 2	J	5	3
3. S	♣ A	7	4	2
4. S	♣ K	5	9	10
5. S	♣ 8	3	♠ 4	Q
6. N	♥ 5	3	♠ 7	6
7. S	♣ 6	J	♠ Q	♦ 9
8. N	♥ 7	2	♠ 8	J
9. S	♠ A	9	♦ 4	10
10. S	♦ A	3	6	8
11. S	♠ K	♥ 10	♥ 4	6
12. S	♦ 5	J	Q	2
13. N	♦ 7	K	10	♥ 8

Made 5 — NS +650

Board 30
 East Deals
 None Vul

♠ K 10 8 7 2	♠ A 4	♠ J 6 3
♥ 9 8	♥ K 7 3 2	♥ Q J 10
♦ 7 5 3 2	♦ Q 10 4	♦ A K 9
♣ J 4	♣ Q 7 6 2	♣ A 10 5 3
	<div style="display: inline-block; background-color: green; color: white; padding: 5px; text-align: center; margin: 0 5px;"> N W E S </div>	
	♠ Q 9 5	
	♥ A 6 5 4	
	♦ J 8 6	
	♣ K 9 8	

EW 2N; EW 2♠; EW 2♦; NS 1♥; NS 1♣; Par -120: EW 2N=

<i>West</i>	<i>North</i>	<i>East</i>	<i>South</i>
		1 NT	Pass
2♥ ¹	Pass	2♠	All pass

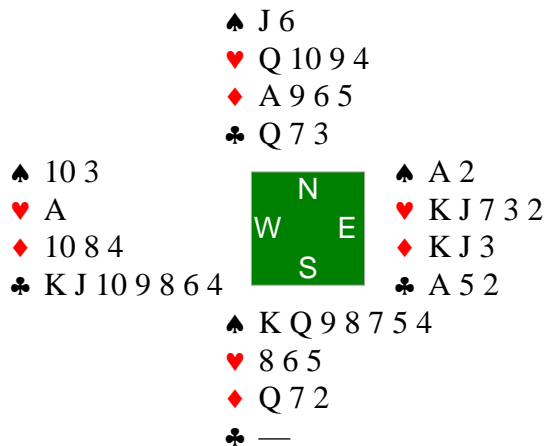
1. Jacoby transfer -- 5+ S

2♠ by East

<i>Trick</i>	<i>Lead</i>	<i>2nd</i>	<i>3rd</i>	<i>4th</i>
1. S	♦ 6	7	Q	<u>A</u>
2. E	♥ Q	6	8	<u>K</u>
3. N	♦ 10	<u>K</u>	8	2
4. E	♥ J	<u>A</u>	9	2
5. S	♦ J	3	4	9
6. S	♣ 9	4	Q	<u>A</u>
7. E	♥ 10	5	♣ J	3
8. E	♠ 3	9	10	<u>A</u>
9. N	♣ 2	5	8	<u>♠ 2</u>
10. W	♠ K	4	6	5
11. W	♠ 8	♣ 7	J	<u>Q</u>
12. S	♥ 4	<u>♠ 7</u>	7	♣ 3
13. W	♦ 5	♣ 6	♣ 10	♣ K

Made 2 — NS -110

Board 31
 South Deals
 N-S Vul



EW 5N; EW 5♣; NS 2♠; EW 1♥; EW 1♦; Par -460: EW 3N+2

	West	North	East	South
				3 ♠
	Pass	Pass	3 NT	All pass
	3 NT by East			
<i>Trick</i>	<i>Lead</i>	<i>2nd</i>	<i>3rd</i>	<i>4th</i>
1. S	<u>♠ K</u>	3	6	2
2. S	♥ 5	<u>A</u>	10	7
3. W	♣ 4	7	<u>A</u>	♠ 9
4. E	♣ 2	♠ 7	J	<u>Q</u>
5. N	♥ 9	<u>J</u>	8	♦ 4
6. E	♣ 5	♦ 2	<u>K</u>	3
7. W	<u>♣ 10</u>	♦ 9	♦ 3	♠ 8
8. W	<u>♣ 9</u>	♦ 6	♥ 3	♠ 5
9. W	<u>♣ 8</u>	♦ 5	♥ 2	♥ 6
10. W	<u>♣ 6</u>	♥ Q	♦ J	♠ 4
11. W	♠ 10	J	<u>A</u>	Q
12. E	<u>♥ K</u>	♦ 7	♦ 10	4
13. E	♦ K	Q	8	<u>A</u>
	Made 4 — NS -430			

Board 32
 West Deals
 E-W Vul

♠ Q 5	♠ K 9 8 7 4 2	♠ A 3
♥ A K 3	♥ 10 8 2	♥ Q J 9 6 4
♦ 9 8 5 2	♦ 4	♦ K J 10 3
♣ 9 7 4 3	♣ J 6 2	♣ A 8

N	
W	E
S	

♠ J 10 6
♥ 7 5
♦ A Q 7 6
♣ K Q 10 5

N 3♠; S 2♠; EW 2♥; EW 3♦; EW 1N; NS 1♣; Par +140: N 3♠=


<i>West</i>	<i>North</i>	<i>East</i>	<i>South</i>
Pass	Pass	1 ♥	Pass
2 ♥	Pass	3 ♣	Pass
4 ♥	All pass		

4 ♥ by East

<i>Trick</i>	<i>Lead</i>	<i>2nd</i>	<i>3rd</i>	<i>4th</i>
1. S	♥ 7	3	10	<u>Q</u>
2. E	♥ 6	5	<u>A</u>	8
3. W	♣ 4	2	<u>A</u>	5
4. E	♥ J	♦ 7	<u>K</u>	2
5. W	♦ 9	4	3	<u>Q</u>
6. S	<u>♣ K</u>	3	6	8
7. S	♣ Q	9	J	<u>♥ 9</u>
8. E	<u>♠ A</u>	6	5	9
9. E	♦ K	<u>A</u>	5	♠ 2
10. S	♣ 10	7	♠ 7	<u>♥ 4</u>
11. E	<u>♦ J</u>	6	8	♠ 8
12. E	<u>♦ 10</u>	♠ J	2	♠ 4
13. E	♠ 3	10	Q	<u>K</u>

Down 1 — NS +100

Board 33
 North Deals
 None Vul

♠ 10 8 7 2 ♥ J 9 4 3 ♦ A 10 ♣ 10 8 5		♠ K J 5 4 ♥ K 2 ♦ K Q 8 2 ♣ K 4 2	♠ 9 6 ♥ Q 10 8 5 ♦ 9 7 5 ♣ Q J 9 7
		♠ A Q 3 ♥ A 7 6 ♦ J 6 4 3 ♣ A 6 3	

NS 6♦; NS 5N; NS 5♠; NS 2♥; NS 3♣; Par +920: NS 6♦=

<i>West</i>	<i>North</i>	<i>East</i>	<i>South</i>
	1 NT	Pass	3 NT


All pass

3 NT by North

<i>Trick</i>	<i>Lead</i>	<i>2nd</i>	<i>3rd</i>	<i>4th</i>
1. E	♠ 9	3	8	<u>J</u>
2. N	♣ 4	7	<u>A</u>	5
3. S	♠ <u>Q</u>	2	4	6
4. S	♥ 7	4	<u>K</u>	8
5. N	♠ 5	♦ 5	<u>A</u>	10
6. S	♦ 6	<u>A</u>	2	9
7. W	♣ 8	<u>K</u>	9	6
8. N	♠ <u>K</u>	♥ 5	♦ 3	7
9. N	♥ 2	10	<u>A</u>	3
10. S	♦ 4	10	<u>K</u>	7
11. N	♦ <u>Q</u>	♣ J	J	♣ 10
12. N	♦ 8	♥ Q	♣ 3	♥ J
13. N	♣ 2	Q	♥ 6	♥ 9

Made 5 — NS +460

Board 34
 East Deals
 N-S Vul

♠ A K 9 6 2 ♥ J 7 4 2 ♦ A 6 3 ♣ K		♠ 10 4 ♥ A K 5 ♦ K Q 9 7 2 ♣ A 9 6	♠ Q J 8 5 3 ♥ Q 8 6 ♦ 10 ♣ Q J 4 3
♠ 7 ♥ 10 9 3 ♦ J 8 5 4 ♣ 10 8 7 5 2			

EW 4♠; EW 2♥; NS 2♦; NS 1♣; Par -420; EW 4♠=


<i>West</i>	<i>North</i>	<i>East</i>	<i>South</i>
		Pass	Pass
1 ♠	2 ♦	3 ♦	Pass
3 NT	Pass	4 ♠	All pass

4 ♠ by West

<i>Trick</i>	<i>Lead</i>	<i>2nd</i>	<i>3rd</i>	<i>4th</i>
1. N	<u>♥ K</u>	8	3	4
2. N	<u>♥ A</u>	6	10	2
3. N	<u>♣ A</u>	3	2	K
4. N	♦ K	10	8	<u>A</u>
5. W	♦ 3	9	<u>♠ Q</u>	4
6. E	♠ 3	7	<u>A</u>	4
7. W	♦ 6	2	<u>♠ J</u>	5
8. E	♠ 5	♣ 10	<u>K</u>	10
9. W	♠ 6	♦ 7	<u>8</u>	♣ 8
10. E	<u>♣ Q</u>	7	♥ 7	9
11. E	<u>♣ J</u>	5	♥ J	6
12. E	♣ 4	♥ 9	<u>♠ 9</u>	♥ 5
13. W	<u>♠ 2</u>	♦ Q	♥ Q	♦ J

Made 4 — NS -420

Board 35
 South Deals
 E-W Vul

♠ A Q 7 6 ♥ 4 ♦ K 10 7 5 2 ♣ 10 5 3		♠ 5 2 ♥ K 10 9 6 ♦ 9 6 4 3 ♣ K Q 8	♠ K 10 4 ♥ Q J 7 5 3 2 ♦ J ♣ 9 7 6
♠ J 9 8 3 ♥ A 8 ♦ A Q 8 ♣ A J 4 2			

NS 2N; S 2♥; S 3♣; NS 2♦; N 2♣; NS 1♠; N 1♥;
 Par +120: NS 1N+1


<i>West</i>	<i>North</i>	<i>East</i>	<i>South</i>
			1 NT
Pass	2 ♣	Pass	2 ♠
Pass	2 NT	Pass	3 NT

All pass
 3 NT by South

<i>Trick</i>	<i>Lead</i>	<i>2nd</i>	<i>3rd</i>	<i>4th</i>
1. W	♦ 5	9	J	Q
2. S	♣ 2	10	<u>K</u>	6
3. N	♣ 8	9	<u>J</u>	3
4. S	♣ 4	5	<u>Q</u>	7
5. N	♦ 6	♥ 3	<u>A</u>	7
6. S	<u>♣ A</u>	♠ 7	♠ 2	♠ 4
7. S	<u>♥ A</u>	4	6	7
8. S	♥ 8	♦ 2	<u>K</u>	5
9. N	♦ 4	♥ 2	8	<u>K</u>
10. W	♠ 6	5	<u>K</u>	3
11. E	<u>♥ Q</u>	♠ 9	♦ 10	9
12. E	<u>♥ J</u>	♠ 8	♠ A	10
13. E	♠ 10	J	<u>Q</u>	♦ 3

Down 1 — NS -50

Board 36
 West Deals
 Both Vul

♠ Q 10		♠ A 3
♥ Q 10 2		♥ A K 9 8 6 4 3
♦ 9 8 6		♦ Q J 10
♣ 10 8 6 4 2		♣ Q
♠ 6 5		♠ K J 9 8 7 4 2
♥ J		♥ 7 5
♦ A K 7 5 2		♦ 4 3
♣ A K J 7 3		♣ 9 5

NS 4♠; EW 2N; EW 2♥; NS 3♣; NS 2♦; Par +500; EW 4N×-2

<i>West</i>	<i>North</i>	<i>East</i>	<i>South</i>
Pass	1♦	1♥	1♠
Pass	2♣	Pass	2♦
Pass	3♣	Pass	3♦
Pass	Pass	3♥	All pass

3♥ by East

<i>Trick</i>	<i>Lead</i>	<i>2nd</i>	<i>3rd</i>	<i>4th</i>
1. S	♣ 9	2	<u>K</u>	Q
2. N	<u>♦ K</u>	10	4	8
3. N	<u>♦ A</u>	J	3	6
4. N	<u>♦ 7</u>	Q	<u>♥ 5</u>	9
5. S	♣ 5	10	A	<u>♥ 6</u>
6. E	<u>♠ A</u>	2	10	6
7. E	♠ 3	<u>K</u>	Q	5
8. S	♠ J	♣ 6	♣ 3	<u>♥ 4</u>
9. E	♥ 3	7	<u>Q</u>	J
10. W	♣ 4	7	<u>♥ 9</u>	♠ 8
11. E	<u>♥ 8</u>	♠ 9	2	♦ 5
12. E	<u>♥ A</u>	♠ 7	10	♦ 2
13. E	<u>♥ K</u>	♠ 4	♣ 8	♣ J

Down 1 — NS +100